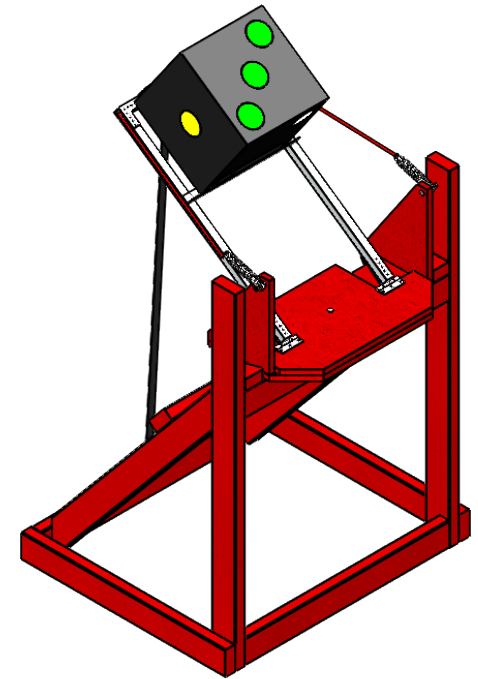
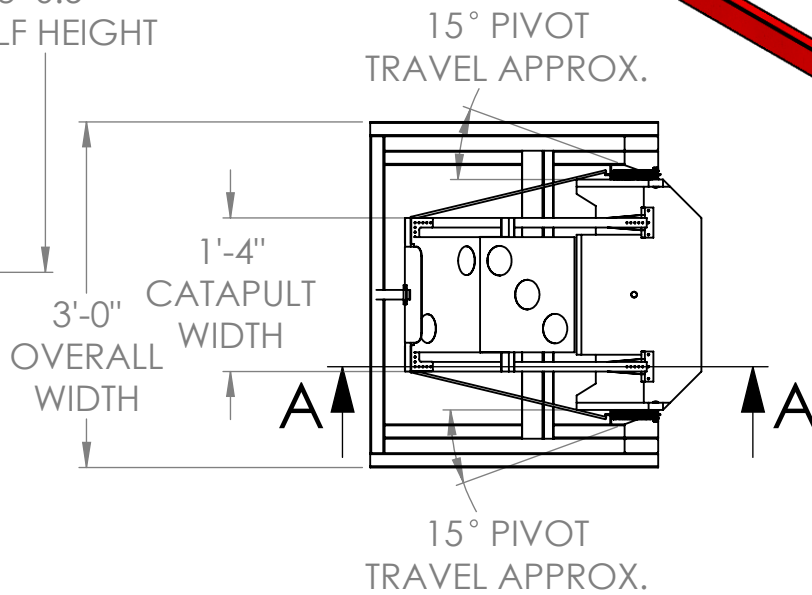


SECTION A-A

CATAPULT DIALED IN TO LAUNCH DICE AND BONUS DICE APPROX. TO CENTER LINE.



	DESIGNED BY:	DATE
	JIM ZONDAG	09/09/2019
DRAWING NAME		SCALE:
HP STATION DIM.		1:20